

# Kinetico 2030s

Non-Electric,  
High Performance  
Water Conditioning  
System



 **Kinetico**<sup>®</sup>  
home water systems

Conditioned Water 24 Hours a Day, Every Day

Simple, Reliable and Economical Operation

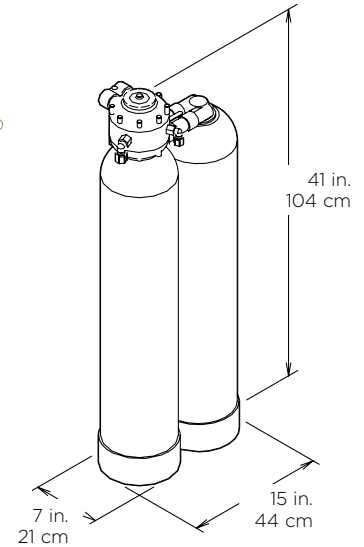
Certified Performance

Installation and Service by Trained Water Treatment Professionals

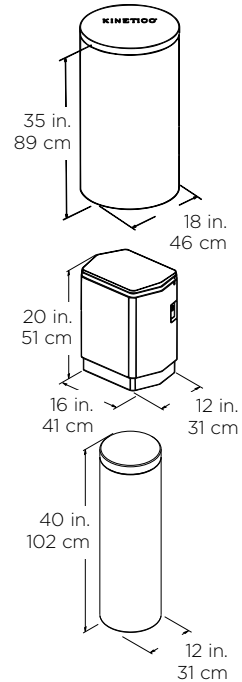
## What Makes The Kineticco 2030s Different?

- 1. Non-Electric Operation.** Reliable. No timers or computers to set, adjust, repair or replace.
- 2. Metered, Demand Service.** Unlimited supply of clean, soft water. Eliminates guesswork, water and regenerant waste, and hard water breakthrough.
- 3. Twin Tank System.** Unlimited supply of clean, conditioned water. Enables system to regenerate with clean, conditioned water.
- 4. High Flow Rate.** System keeps up with the conditioned water needs of today's demanding households.
- 5. Efficient Hardness Removal.** Assures consistent and continuous clean, soft water. Saves money on soaps and cleaners. Protects plumbing and appliances.
- 6. Effective Iron Removal.** Removes soluble iron\* from water.
- 7. Fresh Resin Zone.** Enhances system cleaning and adds a final polish to water. Maintains top performance.
- 8. High Quality Resin.** Long life, high capacity to assure quality water.
- 9. Efficient Use of Water and Regenerant.** Low water consumption. Less money spent on regenerant.
- 10. Corrosion-Resistant Valve and Tanks.** Long lasting. Can endure harsh environments.
- 11. Soft Water, Countercurrent Regeneration.** Increases product efficiency and water quality.
- 12. Automatic Operation.** Just add regenerant.
- 13. Outstanding Warranty.** Dependability, peace of mind.

\*Iron removal capabilities are dependent on the type and concentration of iron as well as your water's other conditions.



### Brine Tank Options:



## Independent Laboratory Certification

Select Kineticco products are tested and certified by Independent Laboratories such as NSF and WQA. For specific claims and certifying laboratories, refer to performance data sheets or consult your local Kineticco Dealer.

\* Information on the performance characteristics of Purefecta<sup>®</sup> can be found at [www.epa.gov/etv](http://www.epa.gov/etv) or call 1.440.564.9111 for a copy of the ETV verification report. Use of the ETV and WQA name or logo does not imply approval or certification of this product nor does it make any explicit or implied warranties or guarantees as to product performance.



 Printed on recycled paper using **Biolocity™** environmentally friendly inks

©2008 Kineticco Incorporated

"Kineticco" and the Kineticco logo are trademarks of Kineticco Incorporated, Newbury, Ohio.

U.S. Patent Numbers: 4,336,134; 4,579,242; 4,889,623; 4,972,877; 5,022,994; 5,490,932