

Kinetico 2040s

OVERDRIVE
ENHANCED

Non-Electric,
High Performance
Water Conditioning System



 **Kinetico**[®]
home water systems

Conditioned Water 24 Hours a Day, Every Day

Simple, Reliable and Economical Operation

Twin Tank Design

Certified Performance

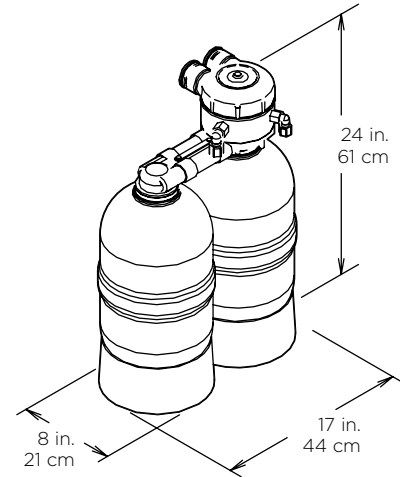
Installation and Service by Trained Water Treatment Professionals

Regeneration requires only:

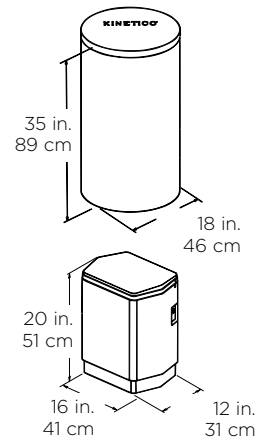
- 7 gallons of water
- 11 minutes
- 1 lb. of regenerant

What Makes The Kineticco Overdrive[®] Enhanced 2040s Different?

- 1. Non-Electric Operation.** Reliable. No timers or computers to set, adjust, repair or replace.
- 2. Metered, Demand Service.** Unlimited supply of clean, soft water. Eliminates guesswork, water and regenerant waste, and hard water breakthrough.
- 3. Twin Tank System.** Unlimited supply of clean, conditioned water. Enables system to regenerate with clean, conditioned water.
- 4. Overdrive Enhanced.** All tanks are in service simultaneously. Increases performance, efficiency, flow rate and media life.
- 5. High Flow Rate.** System keeps up with the conditioned water needs of today's demanding households.
- 6. Large Porting Size.** Perfectly suited for larger plumbing found in many homes. Up to 1 1/2 inch.
- 7. Efficient Hardness Removal.** Assures consistent and continuous clean, soft water. Saves money on soaps and cleaners. Protects plumbing and appliances.
- 8. High Efficiency, Packed Resin Bed.** More efficient hardness removal. Conserves regenerant and water. Increases performance.
- 9. Efficient Use of Water and Regenerant.** Low water consumption. Less money spent on regenerant.
- 10. Corrosion-Resistant Valve and Tanks.** Long lasting. Can endure harsh environments.
- 11. Soft Water, Countercurrent Regeneration.** Increases product efficiency and water quality.
- 12. Automatic Operation.** Just add regenerant.
- 13. Outstanding Warranty.** Dependability, peace of mind.



Brine Tank Options:



Independent Laboratory Certification

Select Kineticco products are tested and certified by Independent Laboratories such as NSF and WQA. For specific claims and certifying laboratories, refer to performance data sheets or consult your local Kineticco Dealer.

