

# Kinetico 2060s and 2100s

**OVERDRIVE**  
ENHANCED

## Non-Electric, High Performance Water Conditioning Systems



 **Kinetico**<sup>®</sup>  
home water systems

Conditioned Water 24 Hours a Day, Every Day

Simple, Reliable and Economical Operation

Twin Tank Design

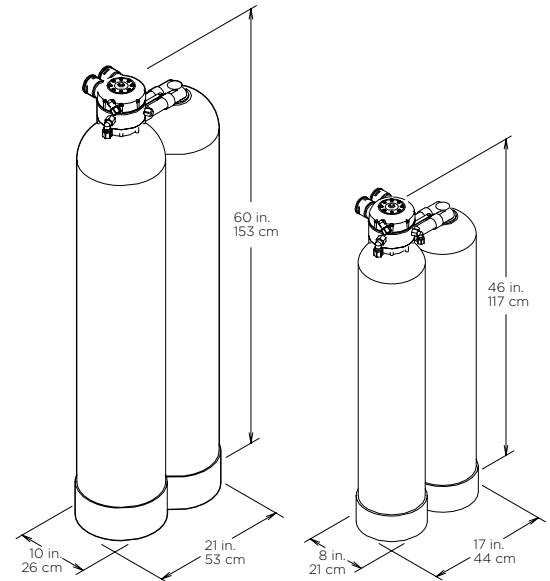
Certified Performance

Installation and Service by Trained Water Treatment Professionals

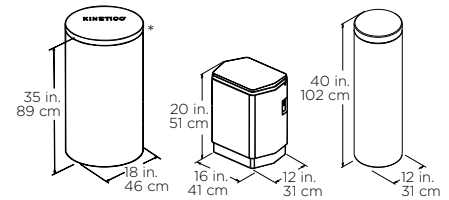
## What Makes The Kineticco<sup>®</sup> Overdrive<sup>®</sup> Enhanced 2060s and 2100s Different?

- 1. Non-Electric Operation.** Reliable, no timers or computers to set, adjust, repair or replace.
- 2. Metered, Demand Service.** Unlimited supply of clean, soft water. Eliminates guesswork, water and regenerant waste, and hard water breakthrough.
- 3. Twin Tank System.** Unlimited supply of clean, conditioned water. Enables system to regenerate with clean, conditioned water.
- 4. Overdrive Enhanced.** All tanks are in service simultaneously. Increases performance, efficiency, flow rate and media life.
- 5. High Flow Rate.** System keeps up with the conditioned water needs of today's demanding households.
- 6. Large Porting Size.** Perfectly suited for larger plumbing found in many homes. Up to 1 1/2 inch.
- 7. Efficient Hardness Removal.** Assures consistent and continuous clean, soft water. Saves money on soaps and cleaners. Protects plumbing and appliances.
- 8. Effective Iron Removal.** Removes soluble iron\* from water.
- 9. Fresh Resin Zone.** Enhances system cleaning and adds a final polish to water. Maintains top performance.
- 10. High Quality Resin.** Long life, high capacity to assure quality water.
- 11. Efficient Use of Water and Regenerant.** Low water consumption. Less money spent on regenerant.
- 12. Corrosion-Resistant Valve and Tanks.** Long lasting. Can endure harsh environments.
- 13. Soft Water, Countercurrent Regeneration.** Increases product efficiency and water quality.
- 14. Automatic Operation.** Just add regenerant.
- 15. Outstanding Warranty.** Dependability, peace of mind.

\*Iron removal capabilities are dependent on the type and concentration of iron as well as your water's other conditions.



### Brine Tank Options:



\*18" x 35" brine tank is the only option for the Overdrive Enhanced 2100s

### Independent Laboratory Certification

Select Kineticco products are tested and certified by Independent Laboratories such as NSF and WQA. For specific claims and certifying laboratories, refer to performance data sheets or consult your local Kineticco Dealer.

